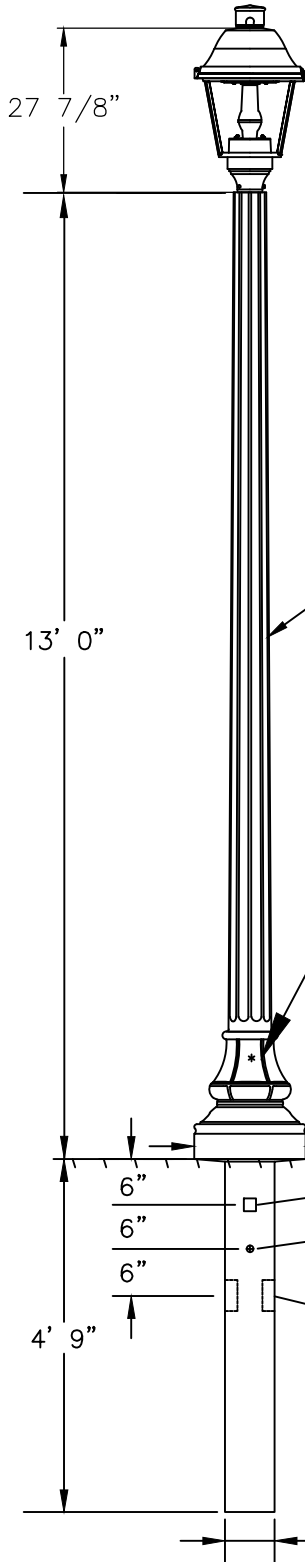


TOP SIZE: 5 1/4"φ

CUSTOMER P.O. No:	-
STRESSCRETE ORDER No:	-

REV.	ALTERATION	DATE	BY
-	-	-	-



COLOR & FINISH:	
COLOR:	SEE CHART
FINISH:	ETCHED
COLOR:	SELECT ONE
ECLIPSE (E11)	<input type="checkbox"/>
AZTEC JADE (E51)	<input type="checkbox"/>

REQUIRED COATINGS:  
-2 COATS ACRYLIC  
FULL LENGTH

[A] H.H. BOX & COVERPLATE  
C/W GROUND WIRE &  
ALLENHEAD SCREWS

FOUNDATION DESIGN TO  
BE DETERMINED &  
SPECIFIED BY A  
STRUCTURAL OR  
GEOTECHNICAL ENGINEER

**POLE SPECIFICATIONS**

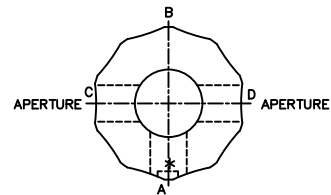
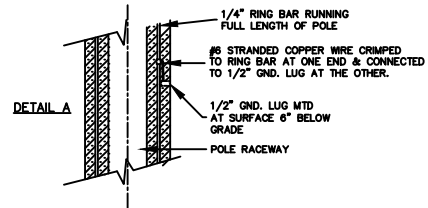
CATALOG NO.: KWC13-G-EXX-T  
SECTION: ROUND FLUTED  
COLOR: SEE CHART  
FINISH: ETCHED  
POLE TOP: 5 1/4"φ  
POLE BUTT: 10"φ  
POLE LENGTH: 17' 9"  
APPROX WEIGHT: 925 lbs.  
QUANTITY: -

**LUMINAIRE SPECIFICATIONS**

CATALOG NO.: K611-T-P4AC-III-75(SSL)  
-7030-120:277-F4-PR7-3K  
QUANTITY:  
OPTICAL SYSTEM: FLAT ARRAY ACRYLIC CLEAR  
IES CLASS.: TYPE III  
WATTAGE: 75W (7030 SERIES)  
SOLID STATE LIGHTING  
INPUT VOLTAGE: 120:277V  
CCT: 3000K  
POLE ADAPTOR: T-STYLE  
PAINT: SEE CHART  
OPTIONS: F4 FINIAL  
TWISTLOCK RECEPTACLE  
(PHOTO-EYE BY OTHERS)  
SPUN ALUMINUM CHIMNEY

OPTIONS  
QUICK DISCONNECT



PAINT (LUM)	SELECT ONE
TXT. BLACK	<input type="checkbox"/>
TXT. FED. GREEN	<input type="checkbox"/>



**TYPICAL CROSS SECTION**

CUSTOMER APPROVAL & DATE: \_\_\_\_\_

CUSTOMER AFFIXES ITS AUTHORIZED SIGNATURE ABOVE,  
ACKNOWLEDGING THAT THIS DRAWING IS IN CONFORMANCE WITH THE  
SPECIFICATIONS OF THE CUSTOMER.

  King Luminaire • StressCrete • Est. 1953 STRESSCRETE GROUP	Manufacturing Locations: Burlington, Ontario 1-800-268-7809 Northport, Alabama 1-800-435-6563 Atchison, Kansas 1-800-837-1024 Jefferson, Ohio 1-800-268-7809
---	--

PROJECT/CUSTOMER:  
**LCEC: LEE COUNTY ELECTRIC**

DRAWN BY: MJ	AT: SC3	CHECKED BY:	DATE: 10/08/20	REVISION: -
-----------------	------------	-------------	-------------------	----------------

DRAWING TYPE: **CONCEPT DRAWING**  
DRAWING NUMBER: **Q-2009055-7**