

POLE TOP: 6 3/4" ϕ

REV.	ALTERATION	DATE	BY
-	-	-	-

CUSTOMER P.O. No:	-
STRESSCRETE ORDER No:	-

POLE SPECIFICATIONS:

CATALOG NO.: KWH18-G-EXX-AG-T

QUANTITY: -
 SECTION: ROUND FLUTED
 COLOR: SEE CHART
 FINISH: ETCHED
 POLE TOP: 6 3/4" ϕ
 POLE BUTT: 12" ϕ
 POLE LENGTH: 23' 0"
 APPROX. WGT.: 1,660 lbs.

ARM SPECIFICATIONS

CATALOG NO.: KA40-T-1-KPL20-PR-#5
 QUANTITY:
 MATERIAL: ALUMINUM
 PAINT: TBD
 OPTIONS: KPL-20 LEVELING DEVICE & TWISTLOCK RECEPTACLE (PHOTO-EYE BY OTHERS) & #5 FINIAL

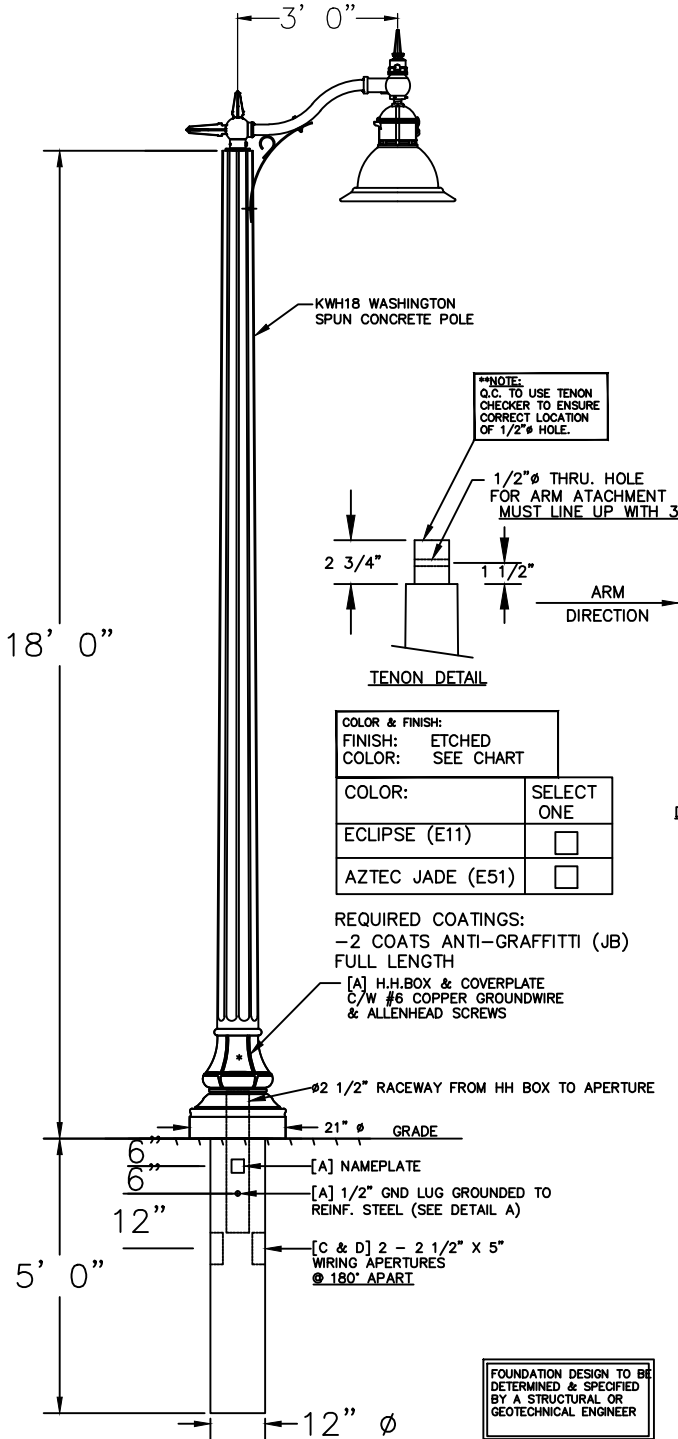
LUMINAIRE SPECIFICATIONS

CATALOG NO.: K829-P4FL-III-120(SSL)-8060-120:277-KPL20-PR7-4K
 QUANTITY:
 OPTICAL SYSTEM: FLAT ARRAY, FLAT LENS
 IES LTG. CLASS.: TYPE III
 INPUT WATTAGE: 120W
 SOLID STATE LIGHTING
 SERIES: 8060
 CCT: 4000K
 LINE VOLTAGE: 120:277V
 PAINT: SEE CHART
 OPTIONS: KPL-20 LEVELING DEVICE C/W TWISTLOCK RECEPTACLE (PHOTO-EYE BY OTHERS)

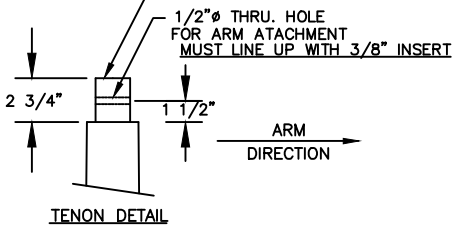
OPTIONS:

QUICK DISCONNECT

PAINT (LUM)	SELECT ONE
TXT. BLACK	<input type="checkbox"/>
TXT. FED. GREEN	<input type="checkbox"/>



****NOTE:**
 Q.C. TO USE TENON CHECKER TO ENSURE CORRECT LOCATION OF 1/2" HOLE.



COLOR & FINISH:	
FINISH: ETCHED	
COLOR: SEE CHART	
COLOR:	SELECT ONE
ECLIPSE (E11)	<input type="checkbox"/>
AZTEC JADE (E51)	<input type="checkbox"/>

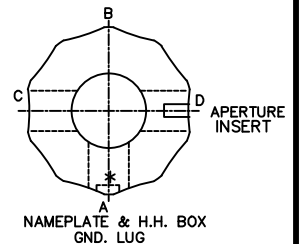
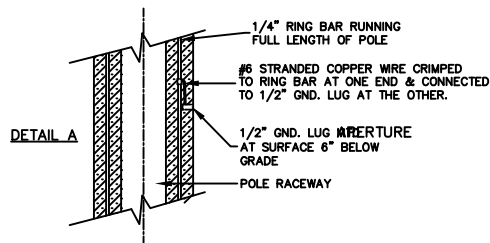
REQUIRED COATINGS:
 -2 COATS ANTI-GRAFFITI (JB)
 FULL LENGTH

[A] H.H.BOX & COVERPLATE
 C/W #6 COPPER GROUNDWIRE & ALLENHEAD SCREWS

Ø2 1/2" RACEWAY FROM HH BOX TO APERTURE

- 6" [A] NAMEPLATE
- 6" [A] 1/2" GND LUG GROUNDED TO REINF. STEEL (SEE DETAIL A)
- 12" [C & D] 2 - 2 1/2" X 5" WIRING APERTURES @ 180° APART

FOUNDATION DESIGN TO BE DETERMINED & SPECIFIED BY A STRUCTURAL OR GEOTECHNICAL ENGINEER



TYPICAL CROSS SECTION

CUSTOMER APPROVAL & DATE: _____

CUSTOMER AFFIXES ITS AUTHORIZED SIGNATURE ABOVE, ACKNOWLEDGING THAT THIS DRAWING IS IN CONFORMANCE WITH THE SPECIFICATIONS OF THE CUSTOMER.

Manufacturing Locations:
 Burlington, Ontario 1-800-268-7809
 Northport, Alabama 1-800-435-6563
 Atchison, Kansas 1-800-837-1024
 Jefferson, Ohio 1-800-268-7809

PROJECT/CUSTOMER: LCEC: LEE COUNTY ELECTRIC				
DRAWN BY: MJ	AT: SC3	CHECKED BY:	DATE: 10/08/20	REVISION: -
DRAWING TYPE: CONCEPT DRAWING			DRAWING NUMBER: Q-2009055-9	