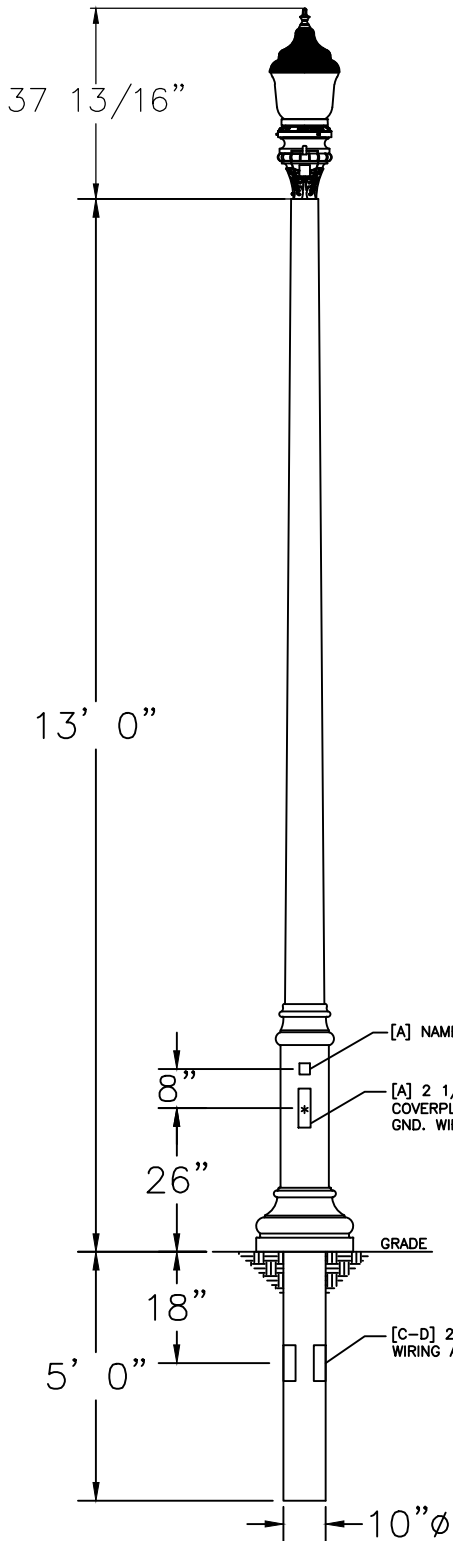


TIP SIZE: 4 3/4"

REV.	ALTERATION	DATE	BY
-	-	-	-



CUSTOMER P.O. No:	-
STRESSCRETE ORDER No:	-

COLOR & FINISH:	
FINISH:	ETCHED
COLOR:	SEE CHART

COLOR:	SELECT ONE
ECLIPSE (E11)	<input type="checkbox"/>
AZTEC JADE (E51)	<input type="checkbox"/>

REQUIRED COATINGS:
-2 COATS ANTI-GRAFFITI (JB)
FULL LENGTH

POLE SPECIFICATIONS:

CATALOG NO.: KYC13-G-EXX-T-AG

SECTION: ROUND
COLOR: SEE CHART
FINISH: ETCHED
POLE TOP: 4 3/4" ϕ
POLE BUTT: 10" ϕ
POLE LENGTH: 18' 0"
APPROX. WGT.: 1,040 lbs.

QUANTITY: -

LUMINAIRE SPECIFICATIONS

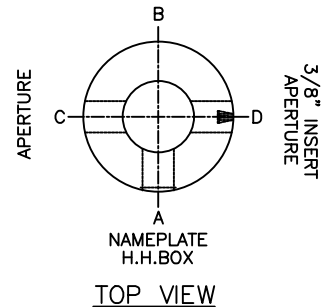
CATALOG NO.: K445R-T1GR-IV-100(SSL)-4004-120:277-K14-PR7-3K-SST

QUANTITY:
POLE ADAPTOR: K14
OPTICAL SYSTEM: TOWER ARRAY GLASS REFRACTOR
IES CLASS.: TYPE IV
INPUT WATTS: 100W (4004 SERIES)
SOLID STATE LIGHTING
LINE VOLTAGE: 120:277V
CCT: 3000K
PAINT: SEE CHART
OPTIONS: TWISTLOCK RECEPTACLE
(PHOTO-EYE BY OTHERS) &
SOLID SPUN TOP

OPTIONS:

QUICK DISCONNECT
TERMINAL BLOCK

PAINT (LUM)	SELECT ONE
TXT. BLACK	<input type="checkbox"/>
TXT. FED. GREEN	<input type="checkbox"/>



CUSTOMER APPROVAL & DATE: _____

CUSTOMER AFFIXES ITS AUTHORIZED SIGNATURE ABOVE, ACKNOWLEDGING THAT THIS DRAWING IS IN CONFORMANCE WITH THE SPECIFICATIONS OF THE CUSTOMER.



King Luminaire • StressCrete • Est. 1953

STRESSCRETE GROUP

Manufacturing Locations:

Burlington, Ontario 1-800-268-7809

Northport, Alabama 1-800-435-6563

Atchison, Kansas 1-800-837-1024

Jefferson, Ohio 1-800-268-7809

PROJECT/CUSTOMER:

LCEC: LEE COUNTY ELECTRIC

DRAWN BY:	AT:	CHECKED BY:	DATE:	REVISION:
MJ	SC3		10/08/20	-

DRAWING TYPE:	DRAWING NUMBER:
CONCEPT DRAWING	Q-2009055-8

FOUNDATION DESIGN TO BE DETERMINED & SPECIFIED BY A STRUCTURAL OR GEOTECHNICAL ENGINEER