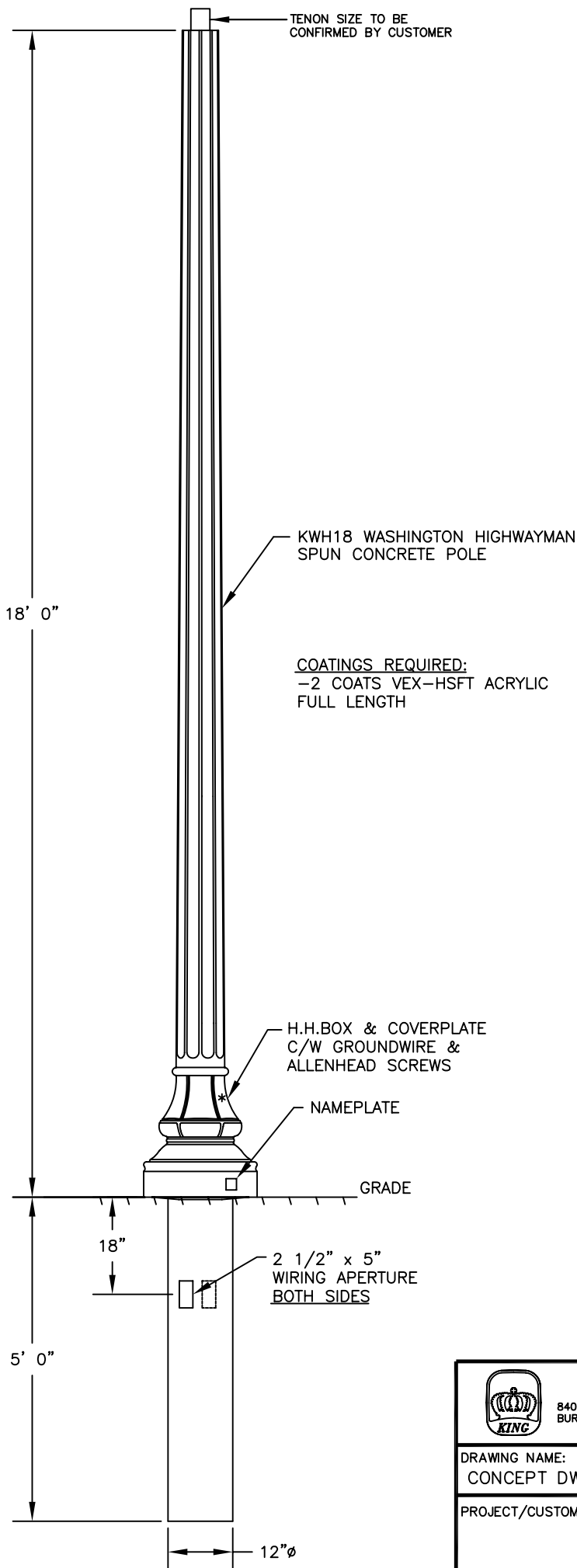


REV.	ALTERATION	E.C.N.	DATE	BY
A	POLE SPECIFICATIONS CORRECTED		4/24/08	M.L.

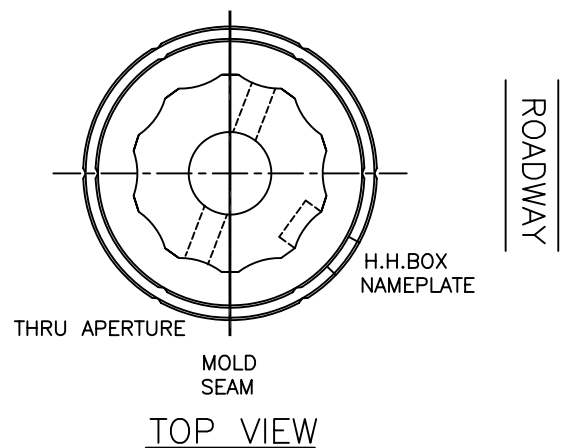



POLE SPECIFICATIONS

CATALOGUE NO.: KWH18-G-E11
C/W 140-XX/XX

SECTION: ROUND
COLOUR: ECLIPSE
FINISH: ETCHED

POLE TOP: 6 3/4" ϕ
POLE BUTT: 12" ϕ
POLE LENGTH: 23' 0"
APPROX WEIGHT: 1,658 lbs.



 KING LUMINAIRE COMPANY INC.				
840 WALKER'S LINE, P.O. BOX 7, BURLINGTON, ONTARIO, CANADA L7R 3X9		P.O. BOX 266 JEFFERSON, OHIO 1153 STATE ROUTE 46N U.S.A. 44047		
DRAWING NAME: CONCEPT DWG.	DWG NUMBER 206A4403-5	DATE: 9/24/07	DWG BY: M.L.	REV. A
PROJECT/CUSTOMER: LCEC				CHK. BY