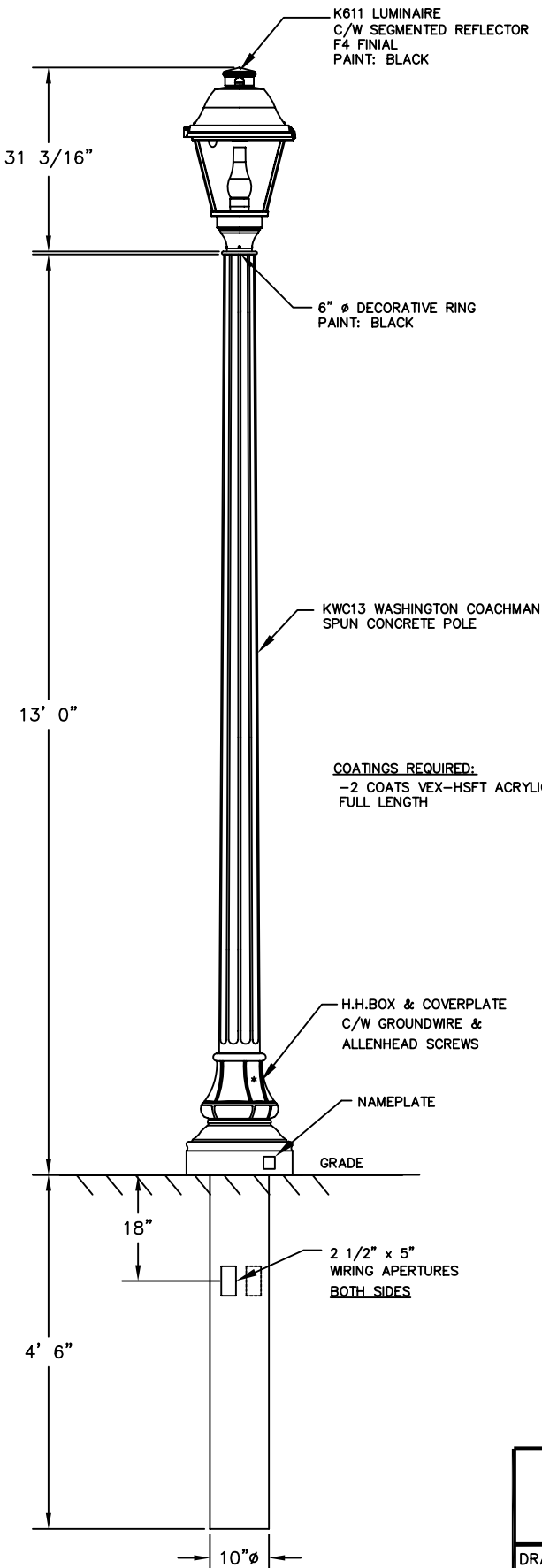


REV.	ALTERATION	DATE	BY
A	SOCKET TYPE WAS MOGUL.	10/5/07	M.Y



LUMINAIRE SPECIFICATIONS

CATALOGUE NO.: K611-T-SAC-III-150(MED)
-HPS-120-F4-PR

QUANTITY:

MOUNTING TYPE: POLE TOP 3 1/2" O.D. TENON

OPTICAL DESIGN: SEGMENTED REFLECTOR
HORIZONTAL LAMP

LENS MATERIAL: ACRYLIC

LENS FINISH: CLEAR

IES CLASS.: TYPE III

WATTAGE: 150W

SOCKET TYPE: MEDIUM

LIGHT SOURCE: HIGH PRESSURE SODIUM

LINE VOLTAGE: 120V

PAINT: BLACK

OPTIONS: F4 FINIAL C/W
TWSTLOCK RECEPTACLE
(PHOTO-EYE BY OTHERS)

ANSI S55 LAMP BY OTHERS

BALLAST INFORMATION:

	<u>SUPPLIED</u>	<u>ALTERNATE</u>
BALLAST TYPE:	HX-HPF	HX-HPF
BALLAST MANU.:	UNIVERSAL	ADVANCE
CATALOG NUMBER:	S150MLTLC3M	71A8192

OPTIONS:

QUICK DISCONNECT } PLEASE SELECT ONE

TERMINAL BLOCK }

OTHER:

POLE SPECIFICATIONS

CATALOGUE NO.: KWC13-G-E11
C/W 140-35/40

QUANTITY:

SECTION: FLUTED ROUND

COLOUR: ECLIPSE

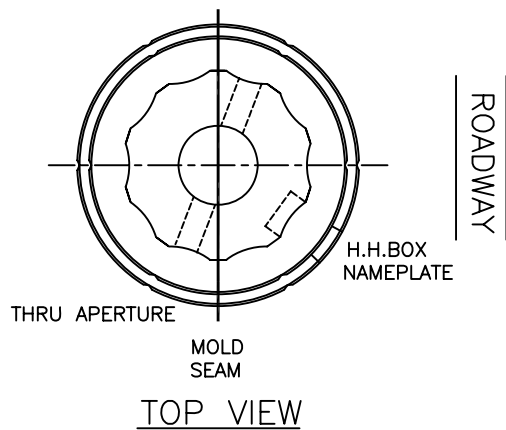
FINISH: ETCHED


POLE TOP: ϕ 5 1/4"

POLE BUTT: ϕ 10"

POLE LENGTH: 18' 0"

APPROX WEIGHT: 925 lbs.



 KING LUMINAIRE COMPANY INC.			
840 WALKER'S LINE, P.O. BOX 7, BURLINGTON, ONTARIO, CANADA L7R 3X9		P.O. BOX 266 JEFFERSON, OHIO 1153 STATE ROUTE 46N U.S.A. 44047	
DRAWING NAME: CONCEPT DWG.	DWG NUMBER 206A4335-6	DATE: 10/3/07	DWG BY: M.L.
PROJECT/CUSTOMER: LCEC			REV. A
PROJECT/CUSTOMER: LCEC			CHK BY: