

REV.	ALTERATION	E.C.N.	DATE	BY

LUMINAIRE SPECIFICATIONS

CATALOGUE NO.: K445R-CGP-III-150(MDG)
 -HPS-120-K14-PR
 GLOBE MAT'L: GLASS
 IES CLASSIFIC.: TYPE III
 WATTAGE: 150W
 LIGHT SOURCE: HIGH PRESSURE SODIUM
 LINE VOLTAGE: 120V
 POLE ADAPTOR: K14
 OPTIONS: TWISTLOCK RECEPTACLE
 GLASS LID
 CUT-OFF REFLECTOR

ANSI S55 LAMP BY OTHERS

BALLAST SPECIFICATIONS

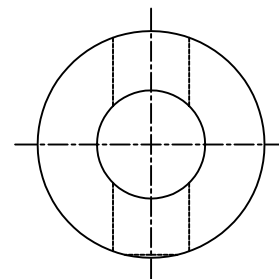
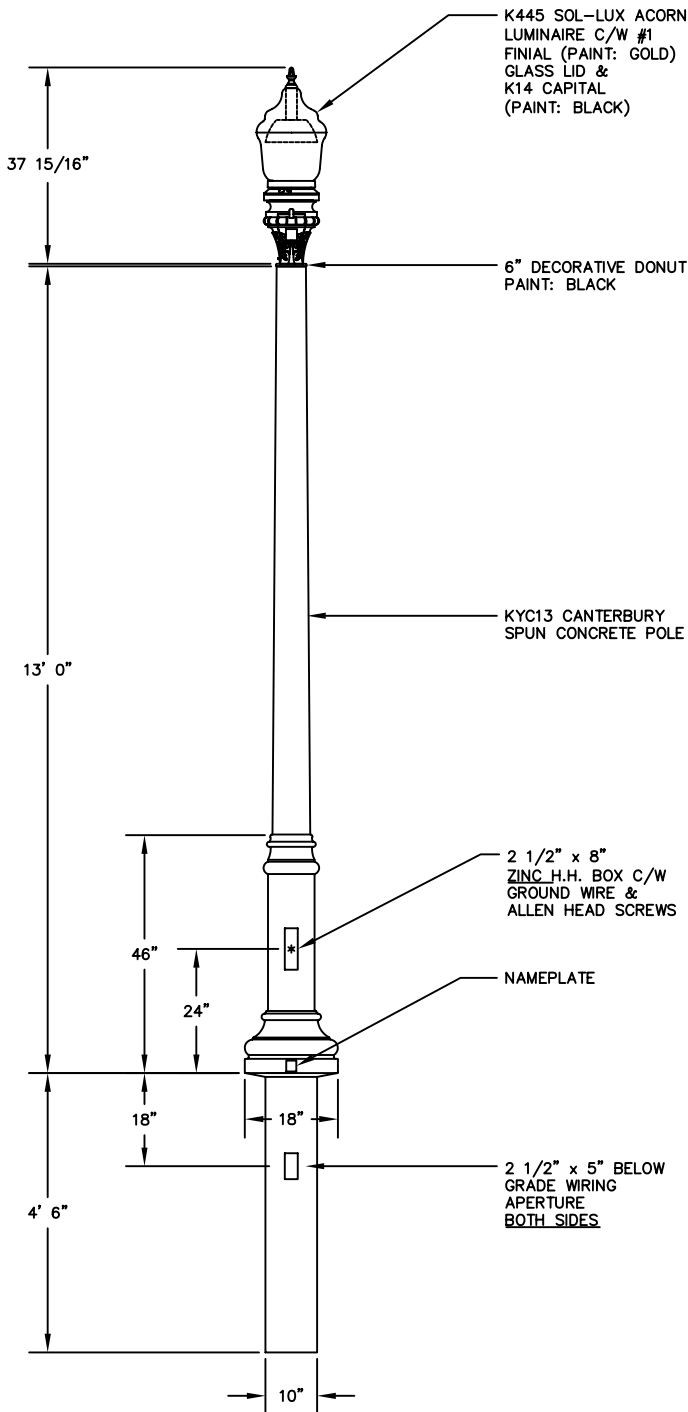
BALLAST TYPE: HX-HPF
 BALLAST MANU: ADVANCE / MAGNETEK
 CATALOGUE NO.: 71A8192 / S150MLTLC3M

OPTIONS

QUICK DISCONNECT } PLEASE SELECT ONE
 TERMINAL BLOCK }
 OTHER:

POLE SPECIFICATIONS

CATALOGUE NO.: KYC13-G-E11
 C/W 140-35/40
 SECTION: ROUND
 COLOUR: ECLIPSE
 FINISH: ETCHED
 POLE TOP: 5 1/4" ϕ
 POLE BUTT: 10" ϕ
 POLE LENGTH: 17' 6"
 APPROX WEIGHT: 1040 lbs.



NAMEPLATE, H.H.BOX THRU APERTURE

TOP VIEW

ROADWAY



KING LUMINAIRE
 COMPANY INC.

840 WALKER'S LINE, P.O. BOX 7, BURLINGTON, ONTARIO, CANADA L7R 3X9
 P.O. BOX 266 JEFFERSON, OHIO 1153 STATE ROUTE 46N U.S.A. 44047

DRAWING NAME: CONCEPT DWG	DWG NUMBER 206A3176-37	DATE: 9/20/07	DWG BY: M.L.	REV.
------------------------------	---------------------------	------------------	-----------------	------

PROJECT/CUSTOMER: _____ CHK BY: _____

LCEC LIGHTING PROPOSAL