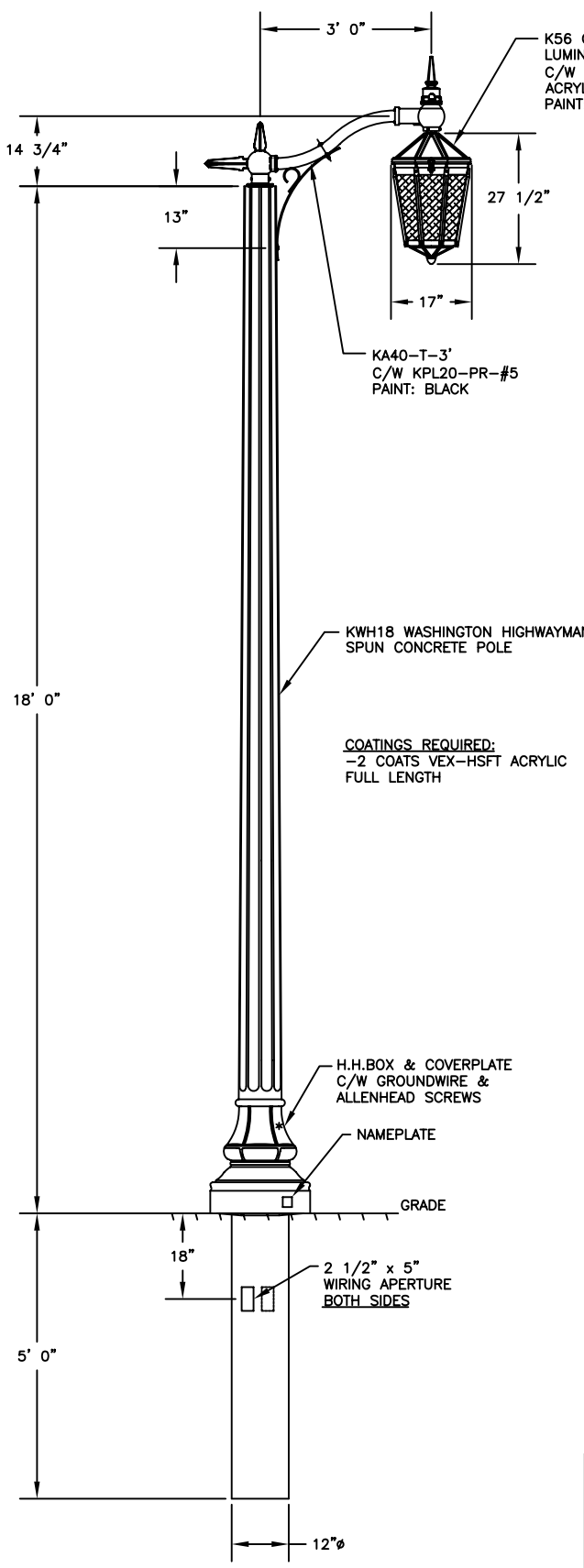


REV.	ALTERATION	DATE	BY



**LUMINAIRE SPECIFICATIONS**

CATALOGUE NO.: K56-C-P-SAR-III-175(MOG)  
-MH-120-KPL20-#5

QUANTITY:  
LANTERN TYPE: CLEVELAND (WITHOUT SPURS)  
POLE ADAPTOR: PENDANT  
OPTICAL SYSTEM: SEGMENTED ACRYLIC RIPPLED (VL2)  
IES CLASS.: TYPE III  
WATTAGE: 175W  
SOCKET TYPE: MOGUL  
LIGHT SOURCE: METAL HALIDE  
LINE VOLTAGE: 120V  
PAINT: BLACK  
OPTIONS: KPL20 LEVELING DEVICE C/W  
TWISTLOCK RECEPTACLE  
(PHOTO-EYE BY OTHERS)  
#5 FINIAL

**ANSI M57 LAMP BY OTHERS**

**BALLAST INFORMATION:**

	<u>SUPPLIED</u>	<u>ALTERNATE</u>
BALLAST TYPE:	CWA	CWA
BALLAST MANU:	UNIVERSAL	ADVANCE
CATALOG NUMBER:	M175MLTAC3M	71A5590

**OPTIONS:**

QUICK DISCONNECT  } PLEASE SELECT ONE  
 TERMINAL BLOCK  }  
 OTHER:

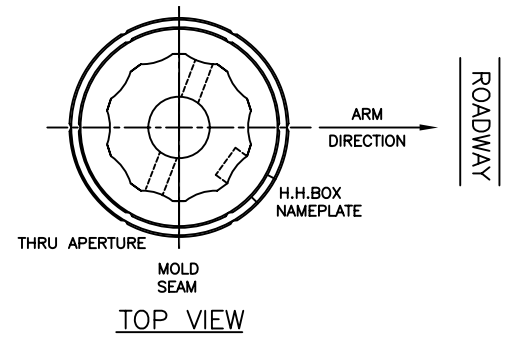
**ARM SPECIFICATIONS**


CATALOGUE NO.: KA40-T-1-36"  
 QUANTITY:  
 MATERIAL: ALUMINUM  
 PAINT: BLACK

**POLE SPECIFICATIONS**

CATALOGUE NO.: KWH18-G-E11  
 C/W 140-25/30

QUANTITY:  
 SECTION: FLUTED ROUND  
 COLOR: ECLIPSE  
 FINISH: ETCHED  
 POLE TOP:  $\phi 6 \frac{3}{4}$ "  
 POLE BUTT:  $\phi 12$ "  
 POLE LENGTH: 23' 0"  
 APPROX WEIGHT: 1,658 lbs.



 <b>KING LUMINAIRE</b> COMPANY INC.				
840 WALKER'S LINE, P.O. BOX 7, BURLINGTON, ONTARIO, CANADA L7R 3X9		P.O. BOX 266 JEFFERSON, OHIO 1153 STATE ROUTE 46N U.S.A. 44047		
DRAWING NAME: CONCEPT DWG	DWG NUMBER 206A4335-1	DATE: 7/17/07	DWG BY: M.L.	REV.
PROJECT/CUSTOMER:  LCEC				CHK BY: